



## 3x2 OPEN WOOD WEB FLOOR TRUSS

\*WITH 12" TRIMMABLE ENDS\*

TC Live Load :	<b>40</b>	PSF
TC Dead Load :	<b>10</b>	PSF
BC Dead Load :	<b>5</b>	PSF



11 7/8" deep 3X2				
SPACING	12"	16"	19.2"	24"
8'-0" span				7'-9"
10'-0" span				9'-9"
12'-0" span				11'-9"
14'-0" span			13'-9"	n/a
16'-0" span		15'-9"	n/a	n/a
18'-0" span	17'-9"	n/a	n/a	n/a

APPLICATION:  
**Floor**

DEFLECTION FACTOR:	
Live Load :	<b>Span / 360</b>
Total Load :	<b>Span / 240</b>

DESIGN CODE :  
**NBC of Canada 1995**

**Spans checked for Vibration and Limit States Design.**

No concrete topping used.

Deck attachment: **GLUED AND NAILED**  
Floor SPF Plywood thickness 5/8 inch for spacing 19.2" or less, 3/4" otherwise.

No strapping

Refer to appropriate Mitek Engineered Sealed drawing for specific installation details  
CCMC No. 19085783746171 Jan. 01, 2009.



14" deep 3X2				
SPACING	12"	16"	19.2"	24"
8'-0" span				7'-9"
10'-0" span				9'-9"
12'-0" span				11'-9"
14'-0" span			13'-9"	n/a
16'-0" span		15'-9"	n/a	n/a
18'-0" span		17'-9"	n/a	n/a
20'-0" span	19'-9"	n/a	n/a	n/a

16" deep 3X2				
SPACING	12"	16"	19.2"	24"
8'-0" span				7'-9"
10'-0" span				9'-9"
12'-0" span				11'-9"
14'-0" span			13'-9"	n/a
16'-0" span		15'-9"	n/a	n/a
18'-0" span		17'-9"	n/a	n/a
20'-0" span	19'-9"	n/a	n/a	n/a

**NOTES:**

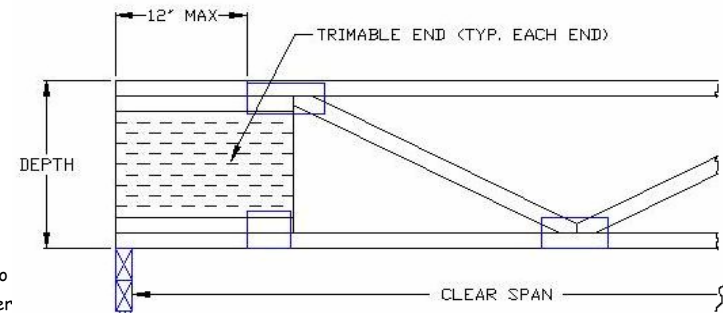
KENT TRUSSES LTD. IS RESPONSIBLE ONLY FOR THE STRUCTURAL ADEQUACY OF THIS COMPONENT BASED ON THE DESIGN CRITERIA AND LOADINGS SHOWN. IT IS THE RESPONSIBILITY OF THE OTHERS TO ENSURE COMPONENT SUITABILITY AND TO VERIFY DIMENSIONS.

**LUMBER:**

1. Dry service condition, unless noted otherwise.
2. Lumber is seasoned at time of fabrication.
3. Lumber not to be treated with fire retardant or corrosive chemicals.

**FABRICATION, HANDLING & INSTALLATION :**

1. Ezy Trim members cannot be cut, drilled, or altered beyond first 12" on each end of joist.
2. Design assumes quality controlled fabrication. All members to be in good bearing contact with plates fully pressed into sound lumber with no wane.
3. Design assumes top chord to be laterally restrained by sheathing attached with nails or with nails and glue.
4. Continuous strongback bridging is required as per engineered Ezy Trim design.
5. "ARO" trimmable end portion is plated to top and bottom chords only as shown. Installer must provide adequate fastening of joist chords to "ARO" block to provide optimal performance and to reduce potential movement of members, especially when used over interior walls without any load being transferred from above.



DATE: 01/20/06 VER: 1.02

Kent Trusses Limited Copyright 2005 All rights reserved